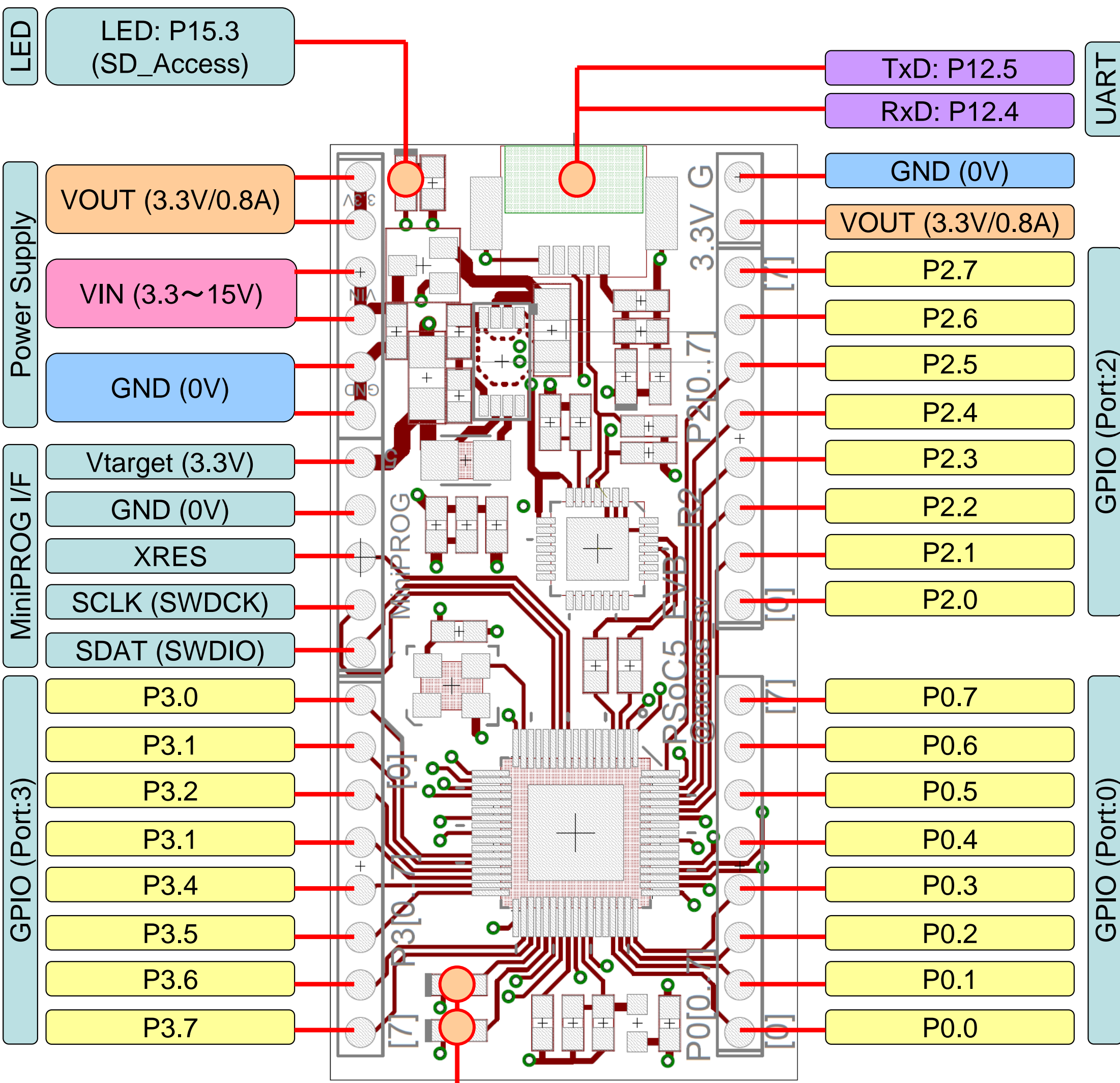


# PSoC5\_EVB R2 Pin Assignment

2013/05/12  
@cronos\_sv



\*LED : "H" = ON , "L" = OFF

\*GPIO : I/O Standard = LVTTTL(3.3V)